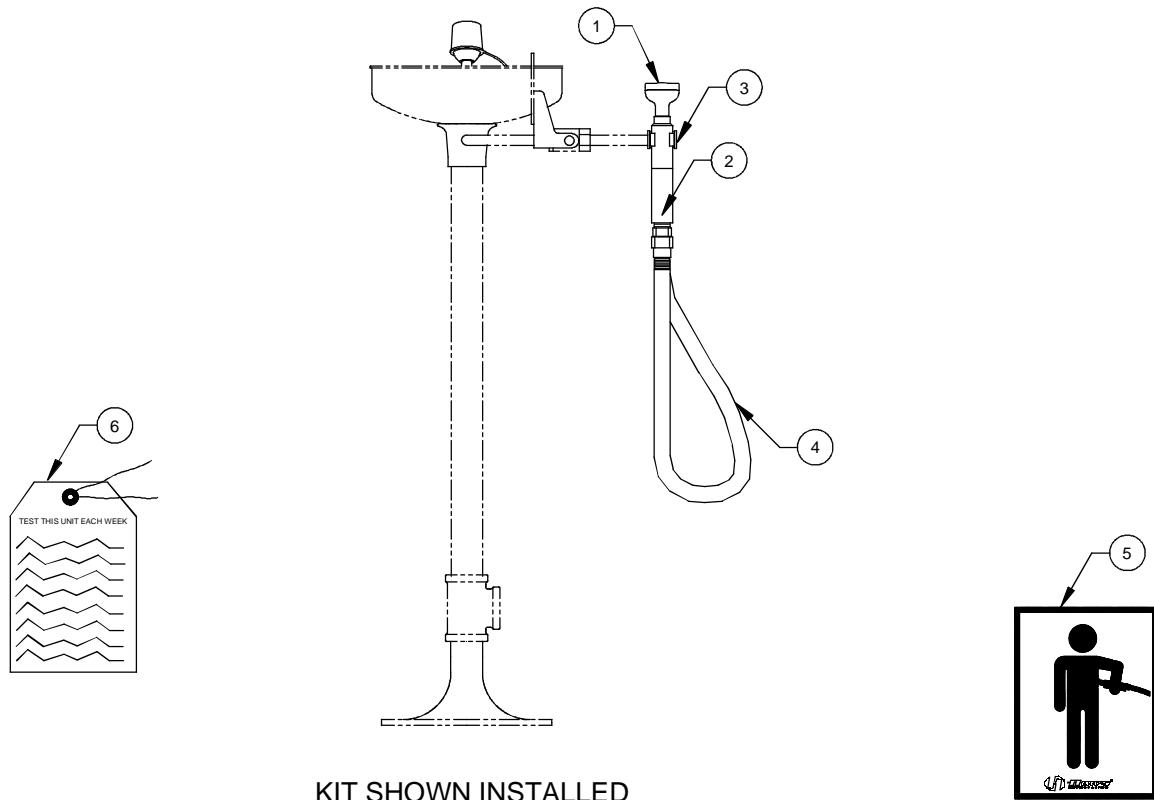



ITEM	DESCRIPTION	PART NO.
1	EYE/FACE WASH HEAD	0002974804
2	FLOW CONTROL	
3	VALVE ASSEMBLY	SP248
4	HOSE ASSEMBLY	SP140
5	HOSE SPRAY SIGN	SP176
6	TEST TAG	SP170
-	VALVE REPAIR KIT	VRK SP248

PARTS BREAKDOWN



KIT SHOWN INSTALLED
WITH PEDESTAL EYEWASH UNIT

 Haws [®]		1455 KLEPPE LANE SPARKS, NEVADA 89431 (775) 359-4712 FAX (775) 359-7424 E-MAIL: HAWS@HAWS.CO.COM WEBSITE: WWW.HAWS.CO.COM	
		ECN NO. REVISED PER BY ECN: 4938 VWC	MODEL(S) 8901 BODY SPRAY RETROFIT KIT
DRAWN CLF DATE 3/17/93 APPROVED FV DATE 01/08/15	DATE CHKD DATE	DRAWING NO. 11511C00 SCALE: 1:6 DRAWING TYPE: PARTS BREAKDOWN	REV 7 SIZE: A SHEET 1 OF 1

WHEN ORDERING PARTS PLEASE SPECIFY MODEL NUMBER.