



model **6458**  
Waste Strainer

## FEATURES & BENEFITS

---

## OPTIONS

---

To see all options for this model, visit [www.hawSCO.com](http://www.hawSCO.com)



## SPECIFICATIONS

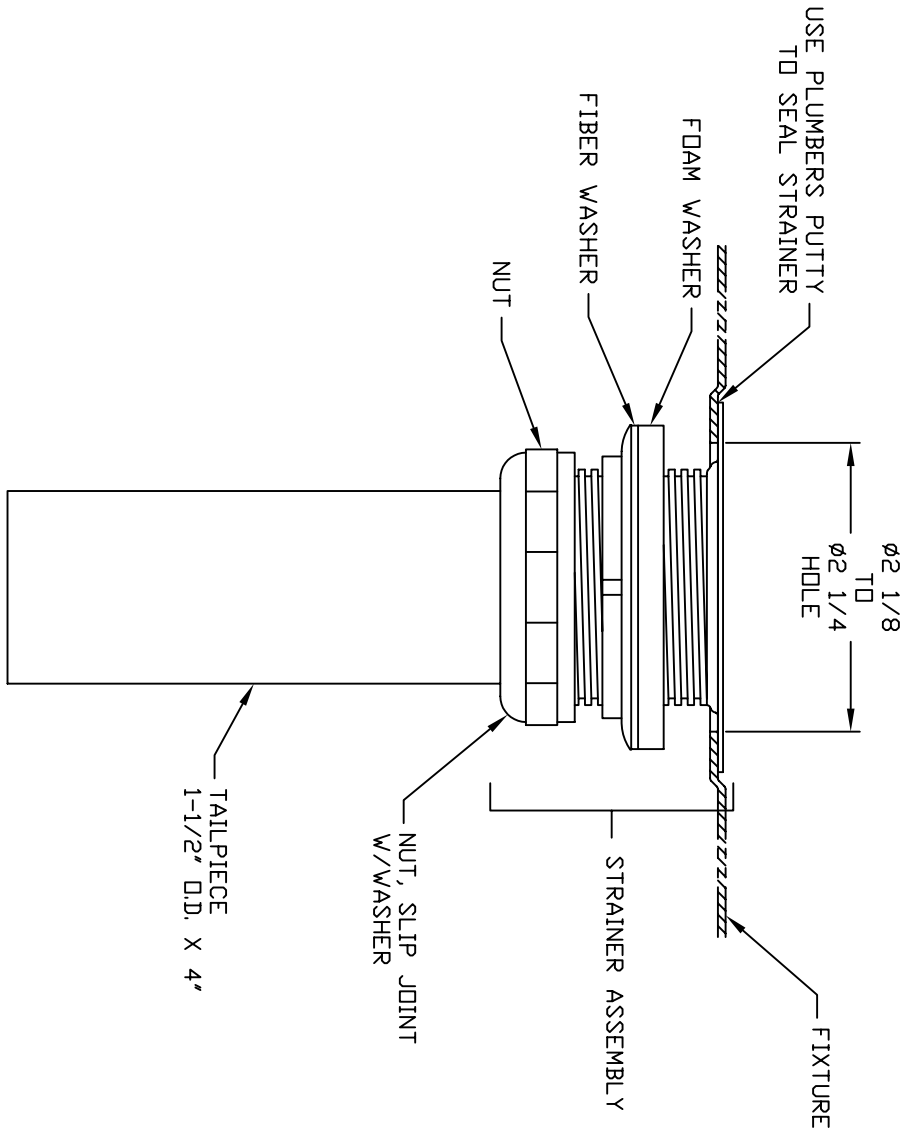
---

Model 6458 is a polished chrome-plated brass flat waste strainer with grid, washer, locknut and slipjoint tailpiece. Dimensions: flange dia, 3" (7.6 cm) fits all 2" (5.1 cm) drain holes; 1-1/2" O.D. (3.8 cm) slipjoint tailpiece x 4" (10.2 cm) long.


## APPLICATIONS

---





MODEL 6458

		INFO FAX : 1-888-FAX-HAWS (1-888-329-4297)	
1455 Kleppe Ln, Sparks NY, 89431		Phone: 775-359-4712 Fax: 775-359-7424	
Home Ag Becthyg 3 CH-3401, Burgdorf, Switzerland		Home Ag Becthyg 3 CH-3401, Burgdorf, Switzerland	
e-mail: <a href="mailto:Haws@hawsco.com">Haws@hawsco.com</a>		website: <a href="http://www.hawsco.com">www.hawsco.com</a>	
DATE: 3/28/00	TITLE: WASTE STRAINER	MODEL: 6458	INFO FAX DOC # 26458
PROJECT:	SCALE: 3/1	DRAWING TYPE:	PART NUMBER: 0002077878
1	1	1	1