



model 6252EHLF  
Faucet Valve

## FEATURES & BENEFITS

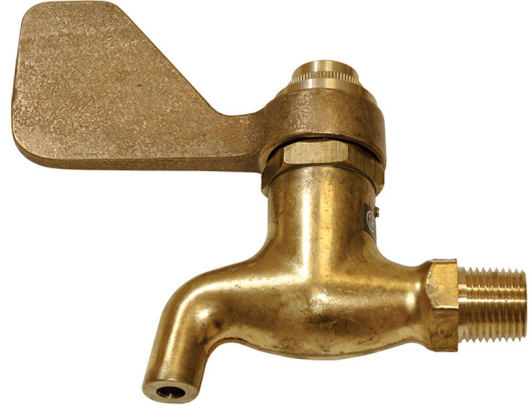
### VALVE

Solid lead-free brass construction combined with an extended lever handle makes this valve the perfect bib faucet for most outdoor applications.

## OPTIONS

- Valve Repair Kit: Model 5800VRKT valve repair kit contains a bearing set, gland packing, spring washer, spring, renew seat, seat washer, seat o-ring, bonnet washers and bottom cap washer. For repair of many lever handle valves. Used on models from 2005 and newer.

To see all options for this model, visit [www.hawasco.com](http://www.hawasco.com)



## SPECIFICATIONS

Model 6252EHLF is a brass self-closing plain end lead-free faucet with an extended lever handle which operates with less than 3.5 push pounds (1.6 kg), and has a 1/2" IPS inlet.

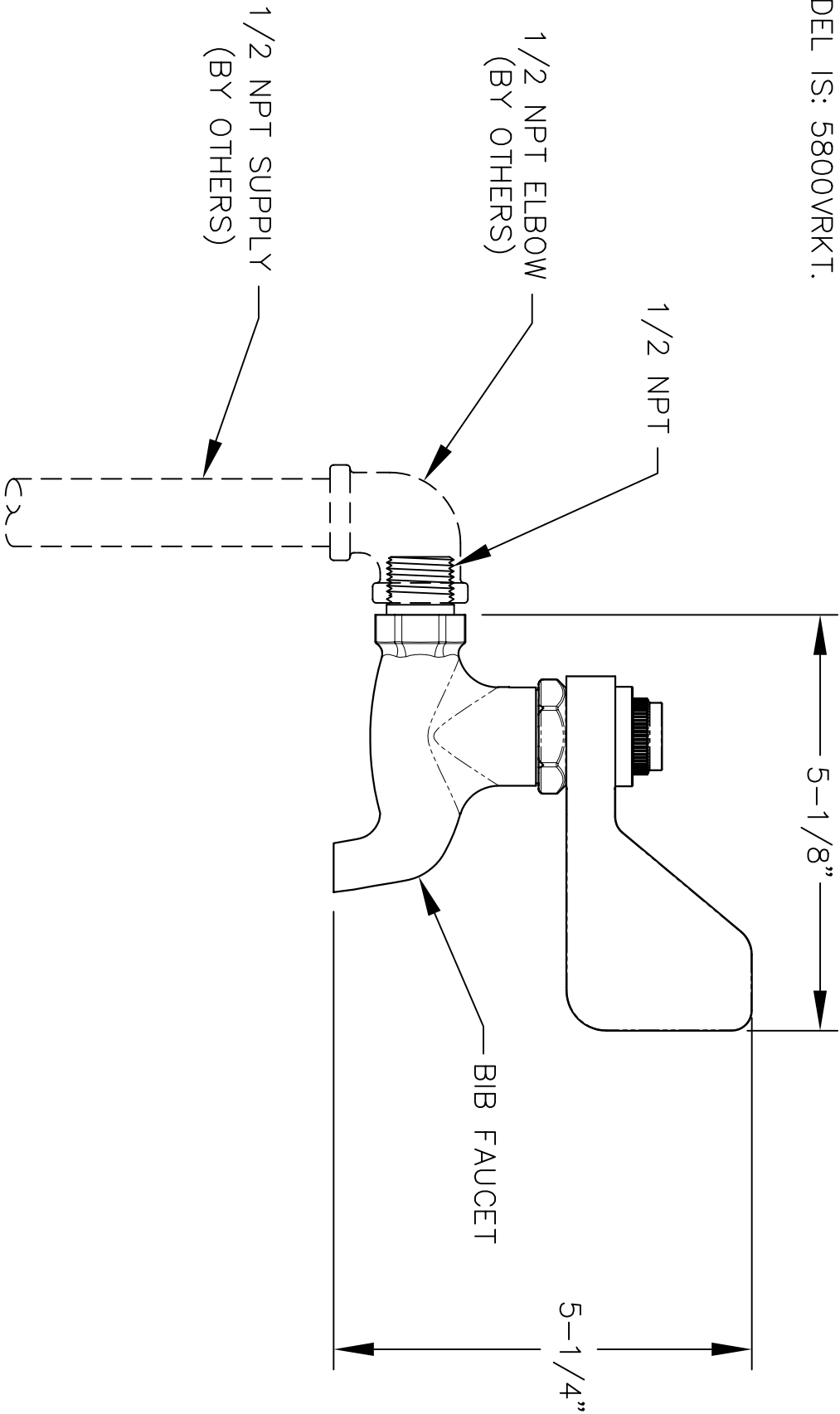
## APPLICATIONS

Perfect for either public or private indoor/outdoor settings, the 6252EHLF is a great fit in areas where a more powerful water source is needed. Specifically, this type of horizontally mounted bib faucet may be placed in settings such as: schools, campgrounds, restaurants, pool or beach areas, and other facilities where the need for a source of water is present. Product is compliant to California Health and Safety Code 116875 (AB 1953-2006).



NOTES:

1. THE HANDLE/STEM REPAIR KIT FOR THIS MODEL IS: 6252HST.
2. THE VALVE REPAIR KIT FOR THIS MODEL IS: 5800VRKT.



**Haws Corporation**

INFO FAX : 1-888-FAX-HAWS (1-888-329-4297)

1455 Kieppe Ln, Sparks NV, 89431  
 Phone: 775-359-4712 Fax: 775-359-7424  
 Haws Ag Bachweg 3 CH-3401 Burgdorf Switzerland  
 Haws Mfg Pte Ltd 74 Sungai Kodut Loop Singapore 729531  
 e-mail: Haws@hawsco.com website: www.hawsco.com

FOR NO.	REVISED PER	BY	MODEL(S)
DO	CON. 3820	RTM	6252EHLF
APPROVED	DATE	SCALE: 1/2"	DRAWING TYPE: INSTALLATION/REWORK

PART NUMBER:	0002077575
DRAWING NUMBER:	12648A00
REV:	4
SIZE:	A
SHT:	1 OF 1