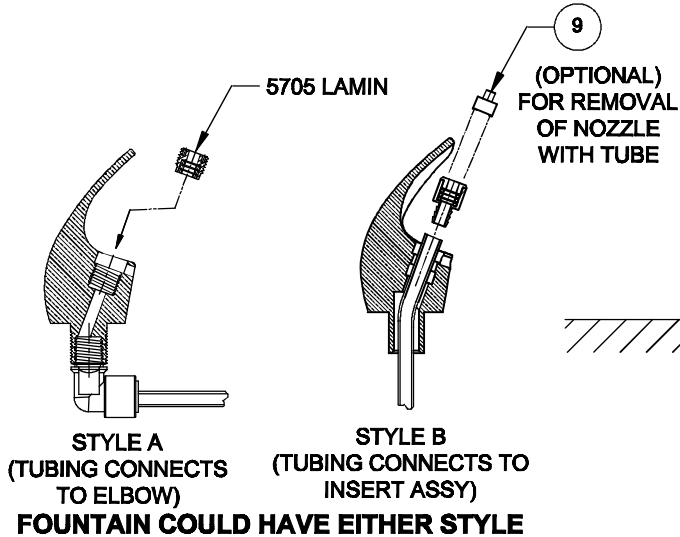
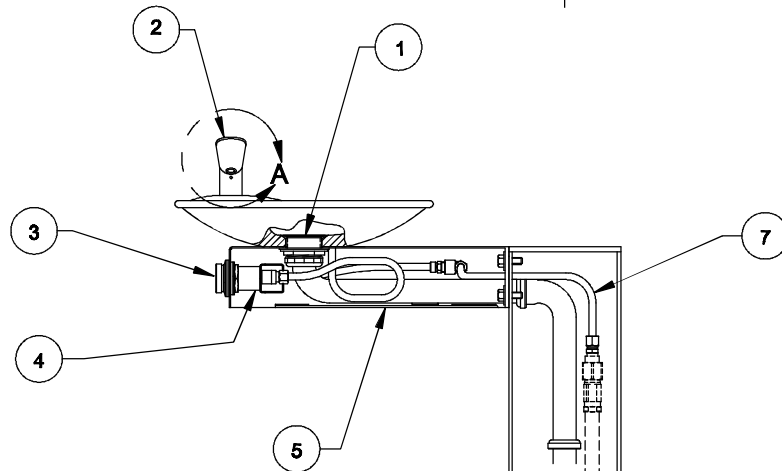
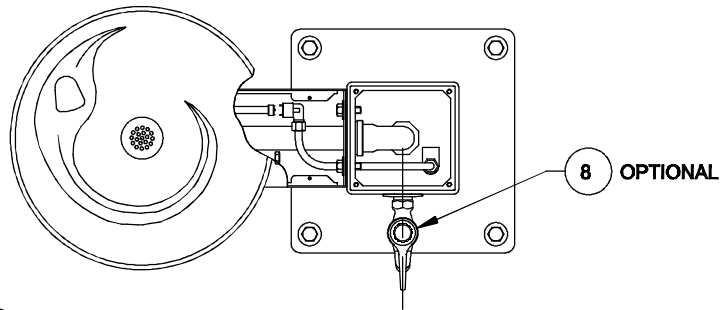
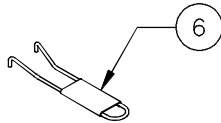
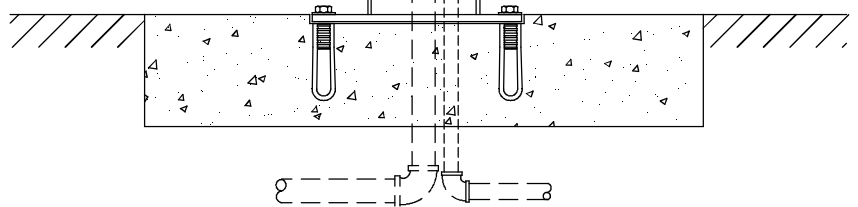


ITEM	DESCRIPTION	PART NO.
1	STRAINER ASSY 6463	6463
2	HEAD W/LAMINAR INSERT (STYLE A OR STYLE B)	5705
3	PUSH BUTTON ASSY	PBA6
4	VALVE	5874SS
5	BOTTOM PLATE	PBM1000
6	SPANNER WRENCH	0006983506
7	SUPPLY TUBING Ø 3/8"	-
8	BIB FAUCET (OPTIONAL)	6250LF
9	DRIVER, NOZZLE .25 HEX	0002082253

PARTS BREAKDOWN



DETAIL A
ROTATED 90° INTO VIEW



		1455 KLEPPE LANE SPARKS, NEVADA 89431 (775) 359-4712 FAX (755) 359-7424 E-MAIL: HAWS@HAWSO.COM WEBSITE: WWW.HAWSO.COM	
		ECN NO. REVISED PER BY EQN: 4826 HM DATE 10/20/88 CHKD	MODEL(S) 3377/3377G
DRAWN RTM	APPROVED DATE	SCALE: 1:5 DRAWING TYPE: PARTS BREAKDOWN SIZE: A SHEET 1 OF 1	DRAWING NO. REV 13360C00 12

WHEN ORDERING PARTS PLEASE SPECIFY MODEL NUMBER.