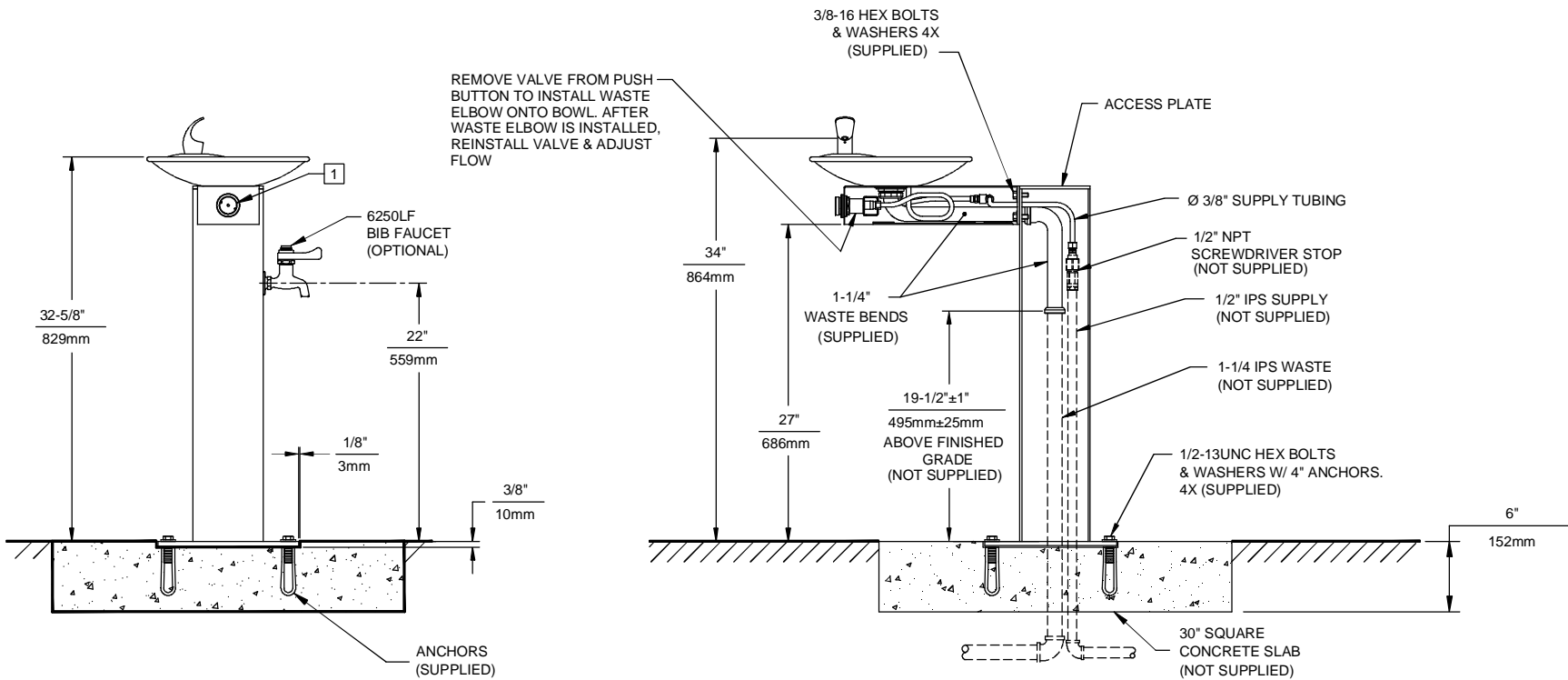
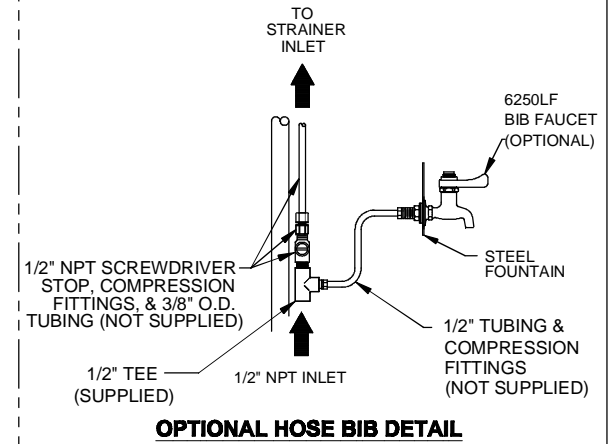
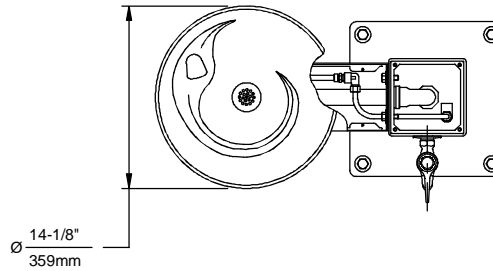
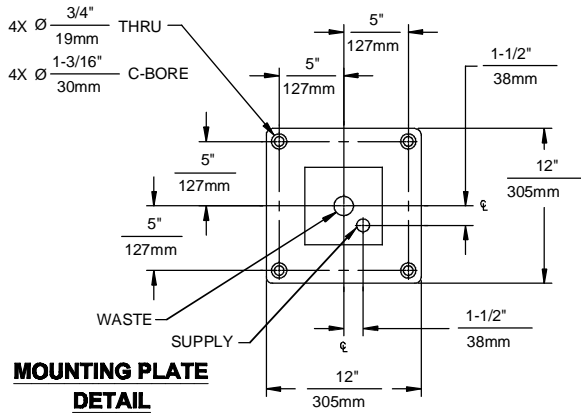


THIS DOCUMENT IS TRUE AND CORRECT AT TIME OF PUBLICATION. CONTINUED PRODUCT IMPROVEMENTS MAKE SPECIFICATIONS AND MEASUREMENTS SUBJECT TO CHANGE WITHOUT NOTICE.



NOTES:

1 REFER TO 5874SS OPERATION AND MAINTENANCE MANUAL FOR PUSH BUTTON AND VALVE INSTALLATION/MAINTENANCE INSTRUCTIONS.



1455 KLEPPE LANE
 SPARKS, NEVADA 89431
 (775) 359-4712 FAX (755) 359-7424
 E-MAIL: HAWS@HAWSO.COM
 WEBSITE: WWW.HAWSO.COM

ECN NO. ECN: 4828	REVISED PER BY: HM	MODEL(S)	PART NUMBER
DRAWN: RTM	DATE: 05/97	3377/3377G	0002077364.D
APPROVED:	DATE:	SCALE: 1:15 DRAWING TYPE: INSTALLATION	DRAWING NO. REV 13066A00 12
SHEET 1 OF 1			SIZE: A